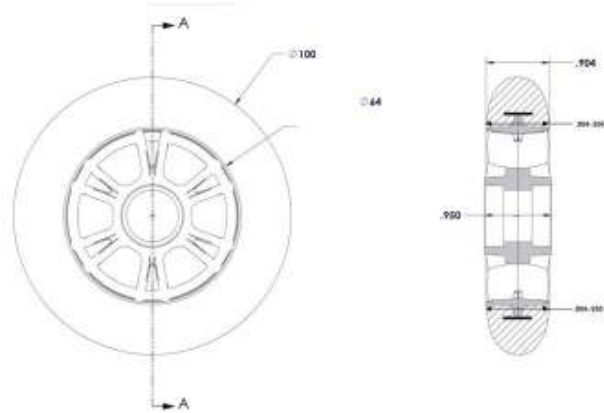




A-REFLEX CORES *Smart*

Technology...What makes them so special?

The largest core in the industry at 64MM for 100MM Wheels and 74MM for 110MM Wheels. The A-REFLEX design allows for controlled flex, providing a return snap to every push. SNAP not achievable with Hollow Core Technology. The large core design displaces the urethane mass to the outer most position of the wheel,



providing increased control and much anticipated momentum. A-REFLEX cores are designed to support wheel widths between the standard of .950 down to .904. This is a variable allowing us to reduce weight for the tech gurus looking to use muscle and energy to push rather than letting the wheel do its job. More importantly we have the capability to adjust our reflex snap as we develop new proprietary urethanes for specific banked tracks around the world.

A-REFLEX Cores were specifically designed to support several materials, all which are significantly important under specific applications. A-Reflex Cores are built with simple plastics as well as more complex hybrid materials like urethane, as well as urethane and glass blends. This never talked about information is instrumental to the success of competitive inline racing wheels.

A-Reflex Cores are Inspired by the best skaters in the world we first engineered A-REFLEX CORES for every type of skater, responsive to all speed skating styles, focused on true wheels, perfect bearing seats, perfect bearing alignment, stiff but yet forgiving, one piece for consistent performance and quality, one piece to allow endless opportunities. If you're a serious speed skater you deserve total performance.